

feather&black

Perfect Bedtimes

Noah Under Bed Storage

IMPORTANT READ CAREFULLY RETAIN FOR FUTURE REFERENCE

Thank you for buying the Noah Under Bed Storage

- Please take a few quiet minutes to read these instructions
- This product contains small parts, keep small children clear of the assembly area

PRODUCT SAFETY

- All assembly fastenings should always be tightened properly and care should be taken that no fittings are loose
- Periodically check and ensure that all components are in their proper position, free from damage, and that all connectors are tight

PRODUCT CARE

- Wipe clean using a soft damp cloth followed by dry cloth
- Do not use abrasives or cleaning products which may contain ammonia or solvents
- Take care when handling or moving the furniture. Careless handling can damage wooden furniture, try to lift rather than drag

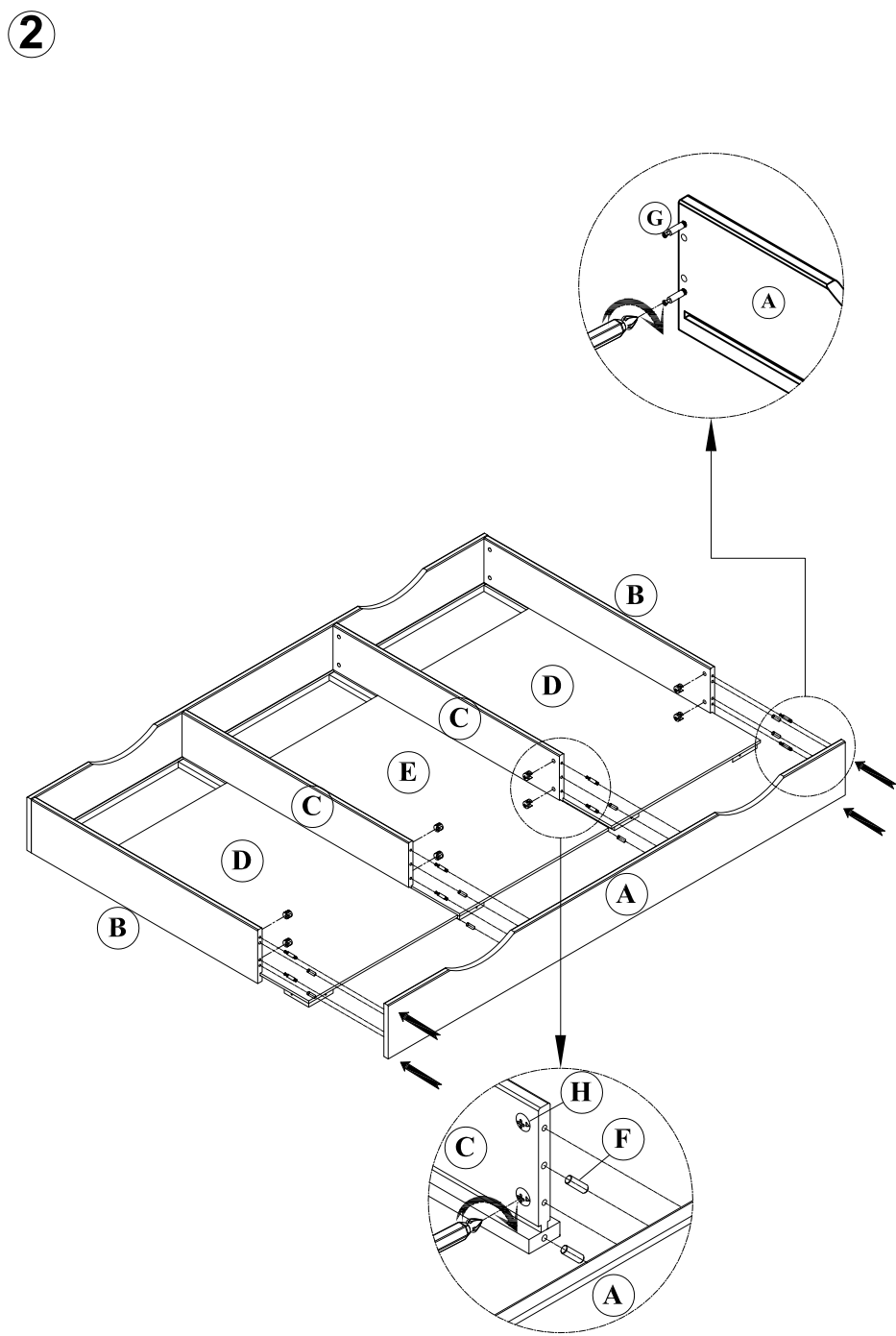
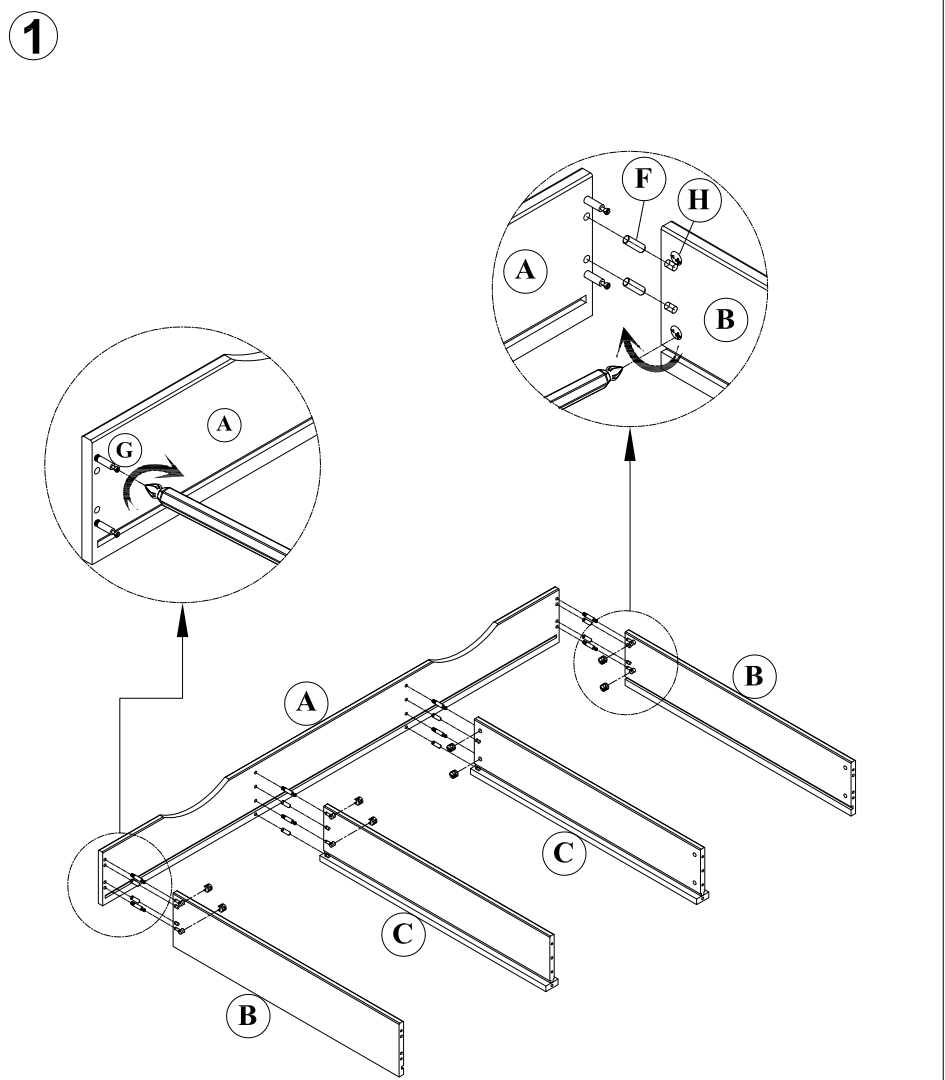
TOOLS REQUIRED

- Please use Philips Head Screwdriver (not included) to assemble the Noah Under Bed Storage

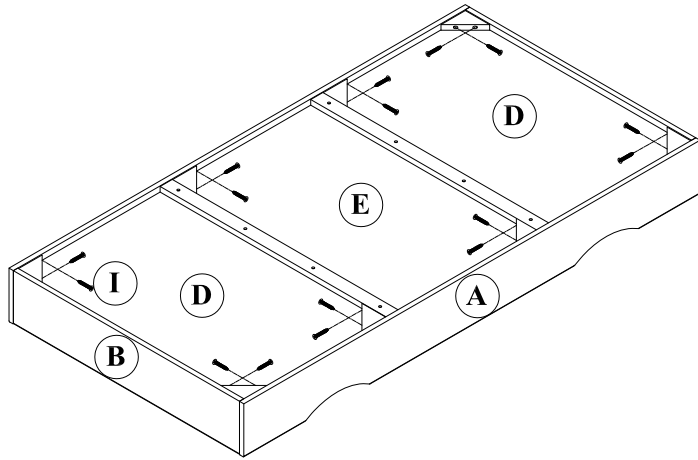


ASSEMBLY INSTRUCTIONS

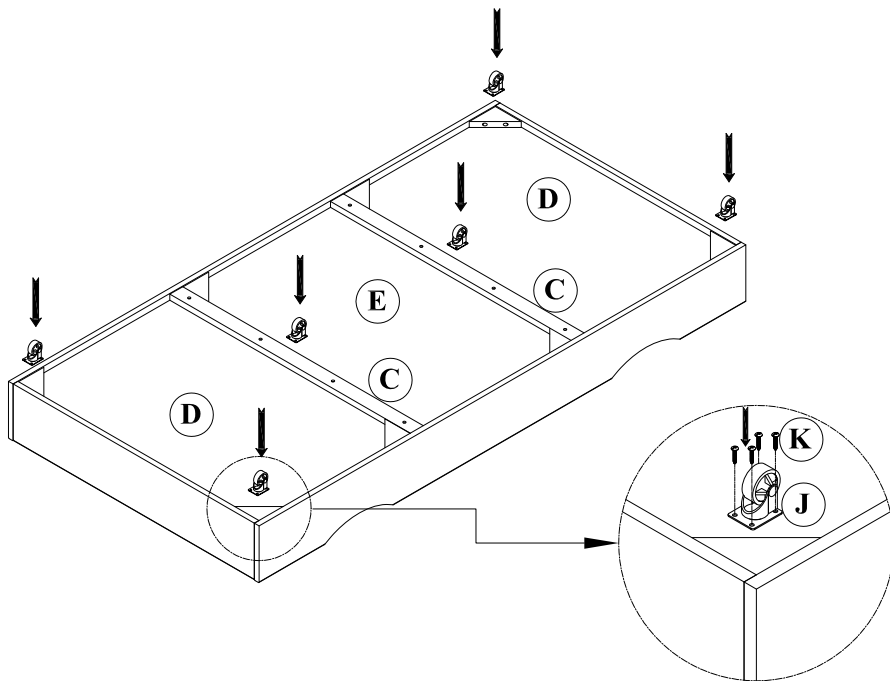
	PARTS	QTY
A		2PCS
B		2PCS
C		2PCS
D		2PCS
E		1PC
F		16PCS
G		16PCS
H		16PCS
I		16PCS
J		6PCS
K		24PCS



3



4



5

